

Assembly Views (representative models)

| Model(s) | Deck Height |
|----------------------------|---------------|
| ZZCH(PM)2666 | 36" (915 mm) |
| ZZCH(PM)2667 | 48" (1220 mm) |
| ZZCH(PM)2668, ZZCH(PM)2706 | 60" (1525 mm) |
| ZZCH(PM)2669 | 72" (1830 mm) |
| ZZCH(PM)2679 | 96" (2438 mm) |
| ZZCH(PM)2676 | 48" (1220 mm) |
| ZZCH(PM)2677, ZZCH(PM)2707 | 60" (1525 mm) |
| ZZCH(PM)2678 | 72" (1830 mm) |

Removal Instructions

Challengers® Models CH2666, CH2667, CH2668, CH2669, CH2679, CH2676, CH2677, CH2678, CH2706, and CH2707 *and*

Playmakers® Models PM2666, PM2667, PM2668, PM2669, PM2679, PM2676, PM2677, PM2678, PM2706, and PM2707

Stainless Steel Single and Double Lightning and Wave Slide

36 in. (914 mm), 48 in. (1220 mm), 60in. (1525 mm), 72in. (1830 mm), and 96in. (2438 mm)

Installation Preparation

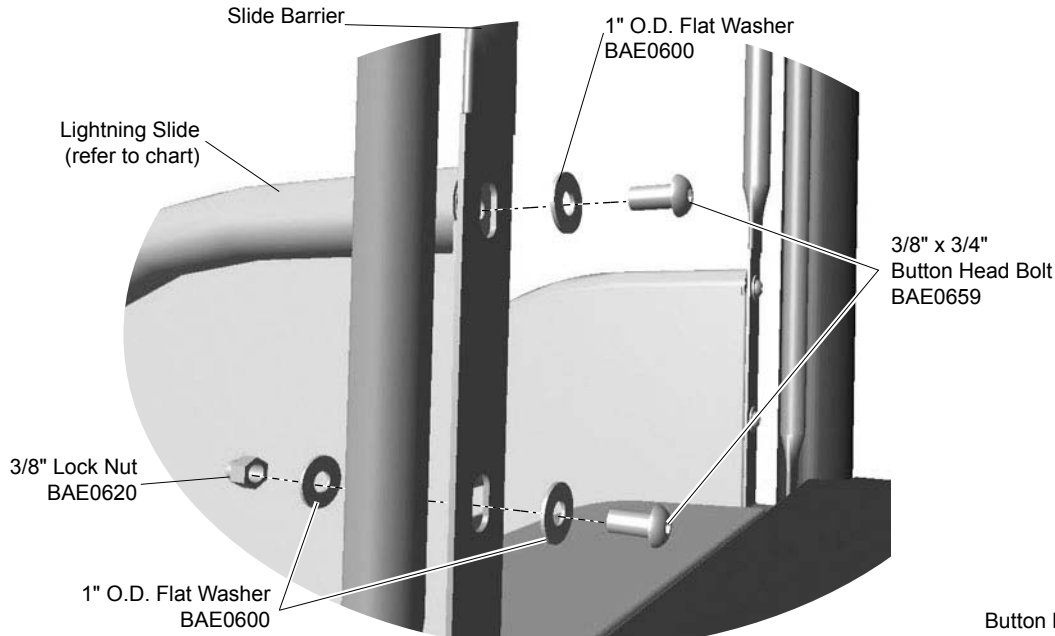
Recommended Crew: Two (2) adults

Installation Time: 1.5 man-hours

| ICON KEY | |
|----------|---------------------------------------|
| | Fully Tighten Hardware |
| | Do Not Fully Tighten Hardware |
| | Add 1 Drop of Thread Locking Adhesive |
| | Pour Concrete |
| | Drill |
| | Dig Footing Holes |
| | Hammer |
| | Critical Fall Height |

Installation Instructions

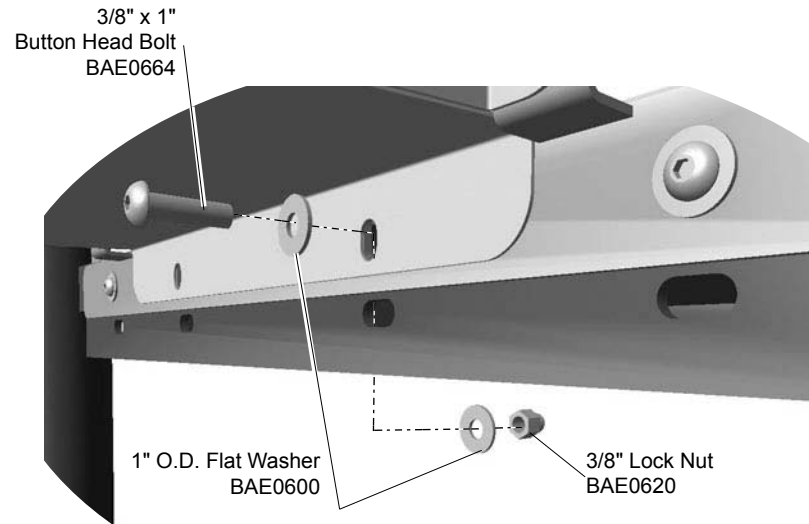
Follow the details in alphabetical order. For clarification, each detail references the step description. The step descriptions start on page 5.



Detail A
Step 1

Remove the slide from the barrier.

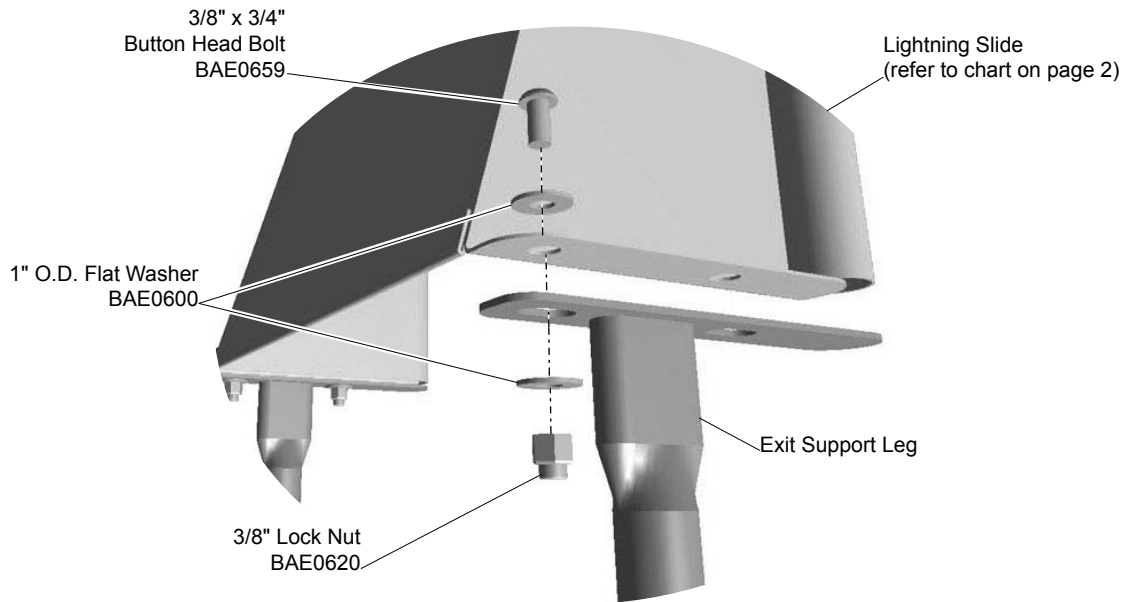
| Models | Slide Part Number |
|--------------|-------------------|
| ZZCH(PM)2666 | AFM0843 |
| ZZCH(PM)2667 | AFM0841 |
| ZZCH(PM)2668 | AFM0839 |
| ZZCH(PM)2669 | AFM0850 |
| ZZCH(PM)2679 | AFR0808 |
| ZZCH(PM)2676 | AFM0848 |
| ZZCH(PM)2677 | AFM0849 |
| ZZCH(PM)2678 | AFM0842 |
| ZZCH(PM)2706 | AFM0887 |
| ZZCH(PM)2707 | AFM0888 |



Detail B
Step 2

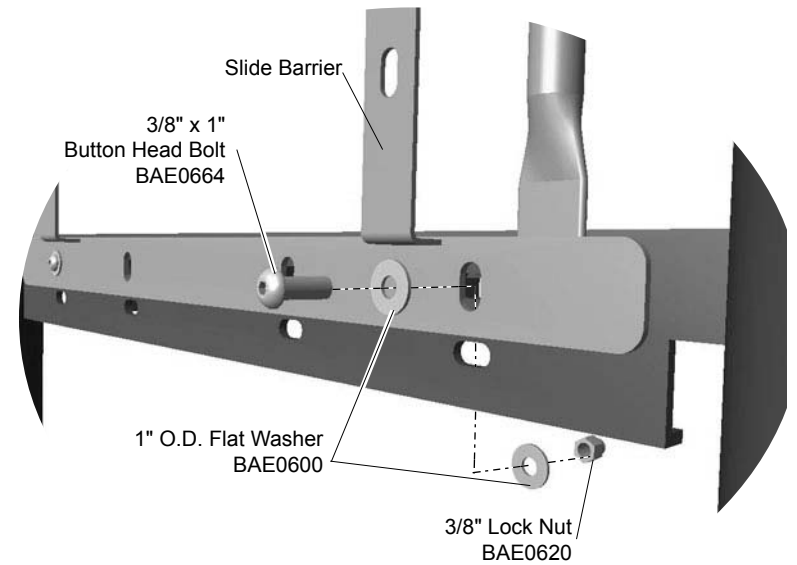
Remove the slide from the deck.

Installation Instructions



Detail C Step 3

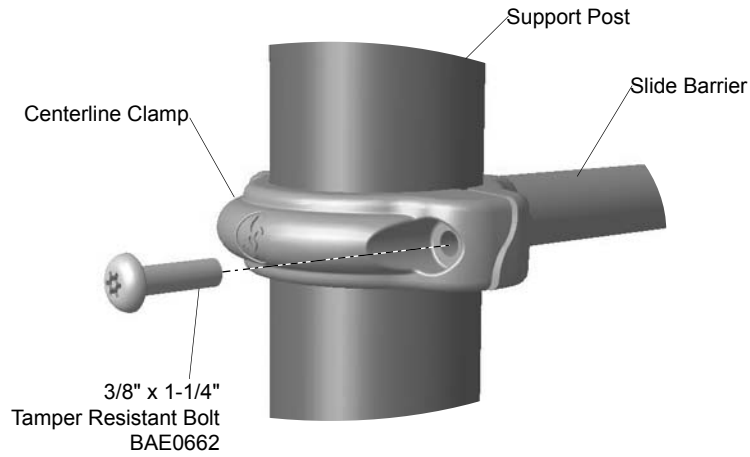
Remove the exit support leg from the slide.



Detail D Step 4

Remove the barrier from the deck.

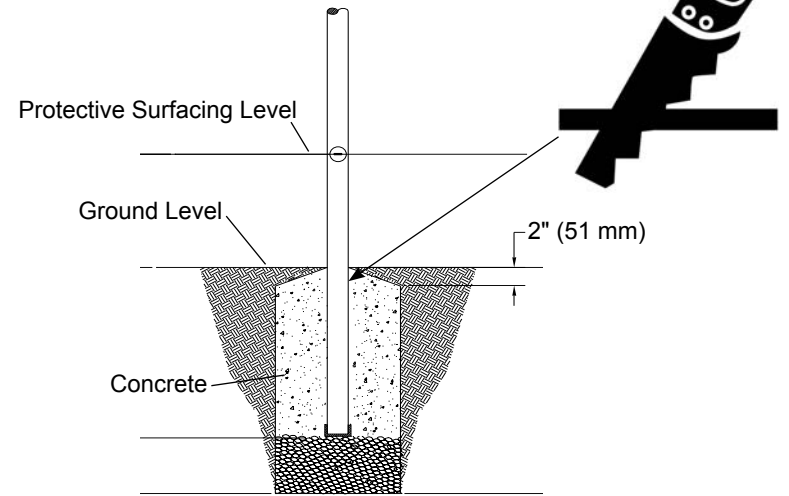
Installation Instructions



Detail E
Step 5

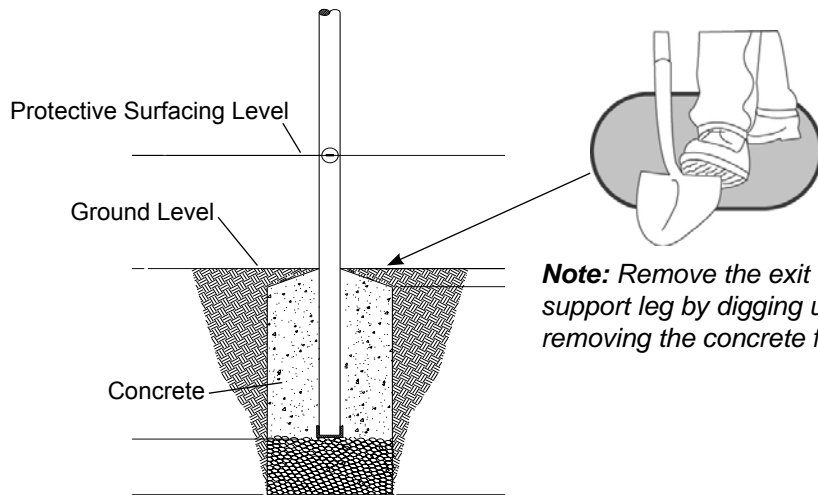
Remove the barrier from the support posts.

Note: Remove the exit support leg by cutting off the post 2" below ground level.



Option Two
Step 6

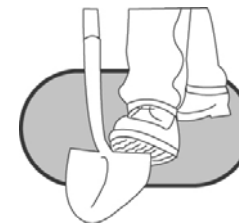
Remove the exit support leg by cutting off the post 2" below ground level.



Note: Remove the exit support leg by digging up and removing the concrete footer.

Option One
Step 6

Remove the exit support leg by digging up the concrete footer.



Step 7

Fill in the hole left after removal of the post.

Installation Instructions

Carefully read and understand these installation instructions before you begin.

Remove the slide from the barrier.

Step 1: Remove the slide from the barrier. See **Detail A**. Loosen hardware and remove as shown.

Remove the slide from the deck.

Step 2: Remove the slide from the deck. See **Detail B**. Loosen the hardware and remove the slide as shown.

Remove the slide exit support leg from the slide.

Step 3: Remove the slide exit support leg from the slide. See **Detail C**. Loosen the hardware and remove the leg as shown.

Remove the barrier from the deck.

Step 4: Remove the barrier from the deck. See **Detail D**. Loosen the hardware as shown.

Remove the barrier from the support posts.

Step 5: Remove the barrier from the support posts. See **Detail E**. Using a 1/4" bit, drill out the drive rivets. Loosen the hardware on the clamps and remove the barrier as shown.

Step 6: If loose fill surfacing is utilized, you can remove the slide exit support post by digging up the concrete footer (**See Option One**) or cutting off the slide leg 2" below grade level at top of footing (**See Option Two**). If Poured-in-Place surfacing is utilized, remove the post by cutting off the slide leg 2" below grade level at top of footing (**See Option Two**).

Step 7: Fill in the hole to ground level with dirt after the removal of the post. Replace surfacing material previously removed.

