

## Installation Instructions




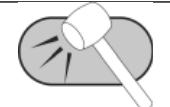

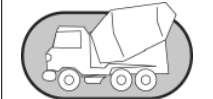

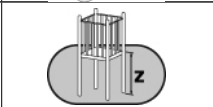
### Challengers<sup>®</sup> Model CH4095 Centerline Pipe Wall Barrier



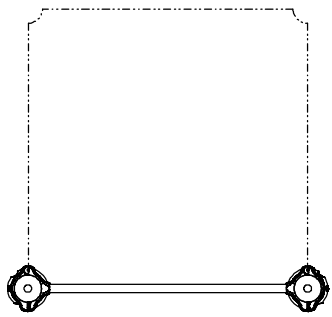
Assembly View

#### Installation Preparation

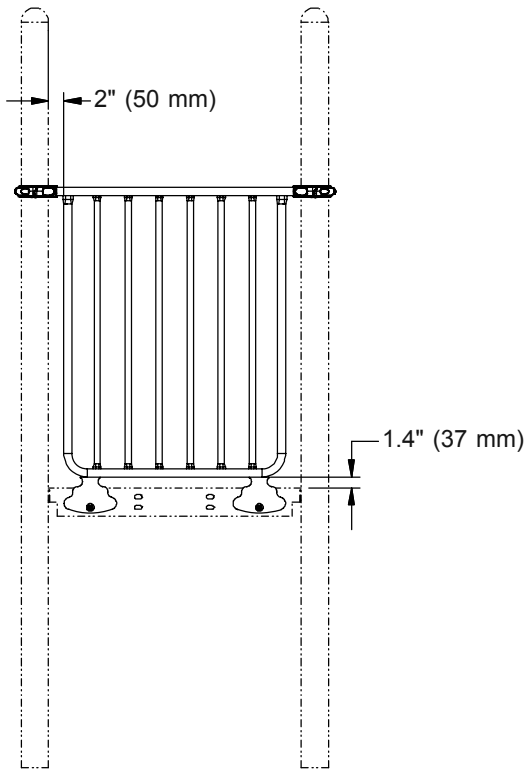
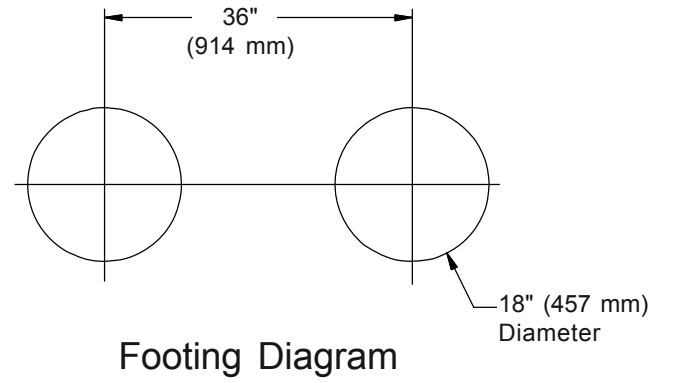
Recommended Crew: ..... One (1) adult  
 Installation Time: ..... 0.5 installation-hours  
 Use Zone: ..... Refer to Master Drawing  
 User Group Age (years): ..... ASTM/CSA: 2-12, EN: 2-14

ICON KEY	
	Fully Tighten Hardware
	Do <b>Not</b> Fully Tighten Hardware
	Drill
	Hammer
	Add 1 Drop of Thread Locking Adhesive
	Pour Concrete
	Dig Footing Holes
	Critical Fall Height

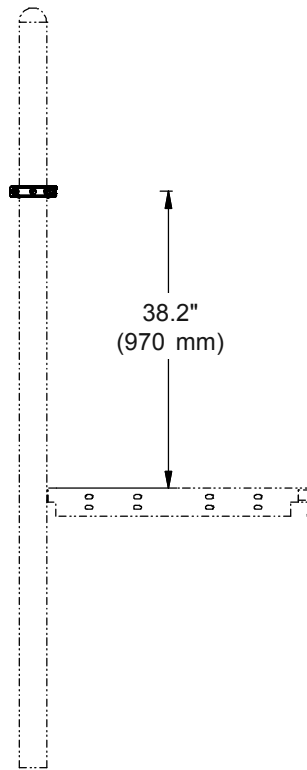
# Installation Instructions



Top View

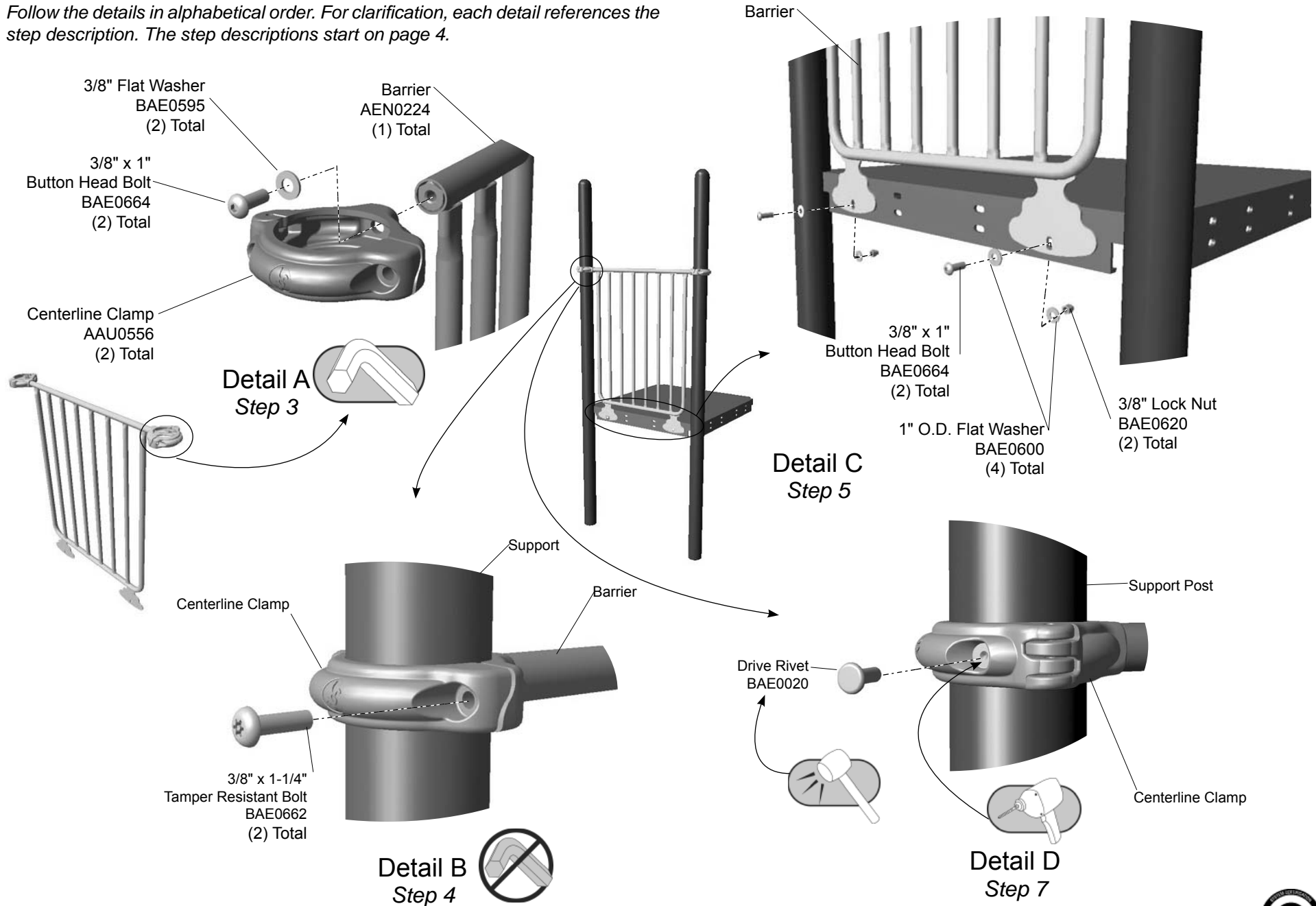


Elevation View



# Installation Instructions

Follow the details in alphabetical order. For clarification, each detail references the step description. The step descriptions start on page 4.



# Installation Instructions

---

**Notes Before You Begin:** Do not over tighten bolts during assembly, only snug tighten them until assembly is complete.

**Carefully read and understand these installation instructions before you begin.**

**Step 1:** Before attempting to assemble your equipment, please review all installation information carefully. Should you experience any difficulty during the installation process, please call us at the phone number shown on the last page of these instructions.

**Step 2:** Separate and identify all components and hardware.

**Attach the clamps to the barrier.**

**Step 3:** See **Detail A**. Attach as shown. Make sure the clamps open the same direction.

**Attach the clamps to the support posts.**

**Step 4:** See **Detail B**. Lift the barrier into position against the deck. Close the clamps around the support posts. Align the barrier plates with the deck. Attach as shown. Snug tighten connection only. The location of the clamp may need to be changed to align deck connection holes or resolve clamp position conflicts.

**Note:** To avoid clamp interference, the deck has been provided with an upper and lower set of holes. Choose the either set of holes that works best with your clamp placement condition.

**Attach the bottom of the barrier to the deck.**

**Step 5:** See **Detail C**. Attach as shown.

**Final Details.**

**Step 6:** Plumb and level the component. Tighten **all** fasteners. Fully tighten all fasteners according to tightening torque specifications.

**Torque Specifications:**

*Bolts and nuts* - Snug tighten and then tighten an additional one half turn.

**Step 7:** Install drive rivets. See **Detail D**. After the equipment assembly is complete, install a drive rivet in each clamp to permanently secure it to the support post. Using a 1/4" drill bit, drill through the clamp and support post. Insert the drive rivet into drilled hole until the head of the rivet is against the surface of the clamp. Using a hammer, drive the pin of the rivet until it is flush with the surface of the rivet head.

**Note:** This step should be executed after structure has been assembled and properly footed.

**CH4095 - CENTERLINE PIPE WALL BARRIER**

<b>PART NO.</b>	<b>DESCRIPTION</b>	<b>QTY.</b>
AAU0556	CLAMP - 3-1/2" CENTERLINE DIE CAST	2
AEN0224	BARRIER - 30-1/2" x 41-7/8" CENTERLINE PIPEWALL	1
BAD0085	THREAD LOCKING ADHESIVE	1
BAE0020	RIVET - 1/4" x 11/16" DRIVE	2
BAE0595	WASHER - 3/8" SAE FLAT	2
BAE0600	WASHER - 1" O.D. FLAT	4
BAE0620	NUT - 3/8"-16 LOCK w/ NYLON CAP	2
BAE0662	BOLT - 3/8"-16 x 1-1/4" TAMPER RESISTANT	2
BAE0664	BOLT - 3/8"-16 x 1" BUTTON HEAD - SS	4

 **PLAYWORLD**  
The world needs play.  
For Customer Service, Call  
**800-233-8404** or  
**570-522-9800** OUTSIDE U.S.  
1000 Buffalo Road • Lewisburg, PA 17837  
[www.playworldsystems.com](http://www.playworldsystems.com)

